

# Okapi LED



DATA SHEET



## Product information

The perfect combination between the aesthetic and functionality makes this luminaire the perfect solution for the replacement of luminaires with low energy efficiency and important light nuisances. Okapi LED is available with a wide range of system consumptions from 21 to 56 Watts. It is ideal for efficient lighting of walkways, parks & gardens up to 6m high. The advanced LED optical system used in the Okapi LED improved horizontal and vertical uniformity, reduced glare and improved lighting controls. This reliable system offers more than 11 years of service life to reduce maintenance frequency and expense, based on a 50,000 hours life and 12 hours of operation per day.

## Structures and materials

**Housing:** in three pieces (housing, door and arm), all of them in die-cast aluminium with a polyester powder paint finish and oven cured.

**Standard colour:** grey 150 sable. All RAL colours available on request.

**Two safe screws:** included in the lower housing allowing an easy luminaire opening.

**Screws:** galvanized.

## Electrical and gear compartment

Placed into the lower housing and isolated from the environment with a protection degree IP66 comprising:

**Driver support board:** the driver is mounted onto an aluminium gear tray.

## Optics

Optical assembly hermetically sealed providing IP66, comprising:

**Glass:** curved (IK09) or flat tempered glass (IK 08) fixed with a gasket.

**Reflector:** 5 different reflectors available.

Structured LED array for optimized photometric distribution. Utilized high brightness LEDs, 70 CRI at 3000K, 4000K and 5000K typical. LM79 test and reports are performed in accordance with IESNA standards.

## Maintenance

**System rating:** Reported L85 (9K) > 50.000 hours at 25°C, Projected L70 (9K) > 150.000 hours at 25°C. Ambient temperature from -30°C to +50°C. Storage temperature up to 85°C.

## Installation

- Available in European Electrical classes I and II.

## Mounting options

- Decorative arm through 48 to 60 mm, standard post top mounting through 60 and 76 mm diameter pole.
- Side mounting through 60 mm diameter pole.



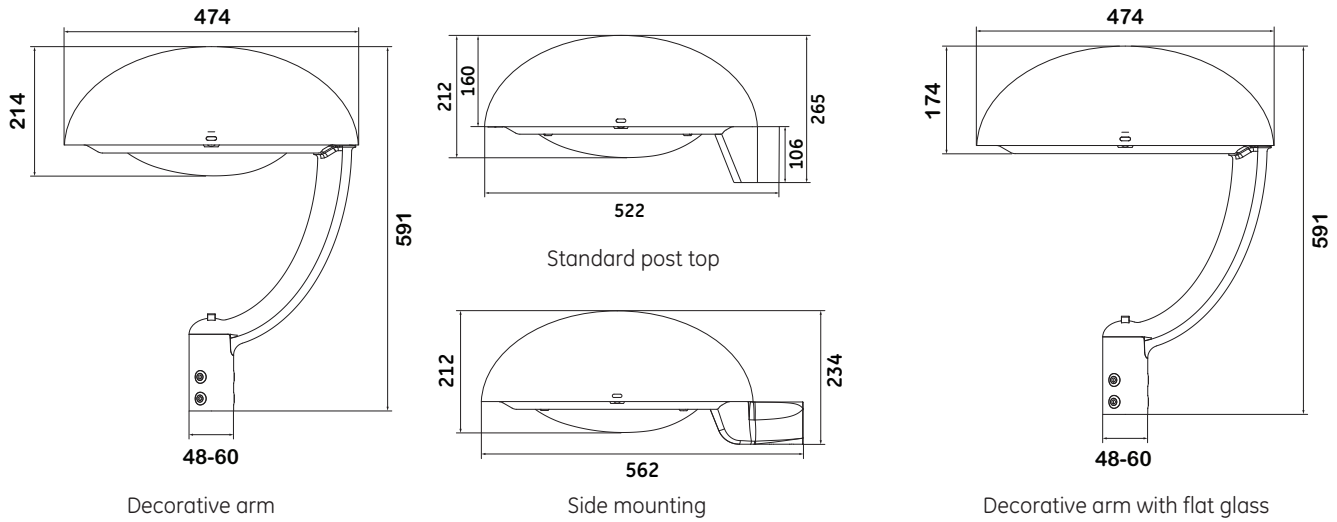
Decorative arm

Standard post top

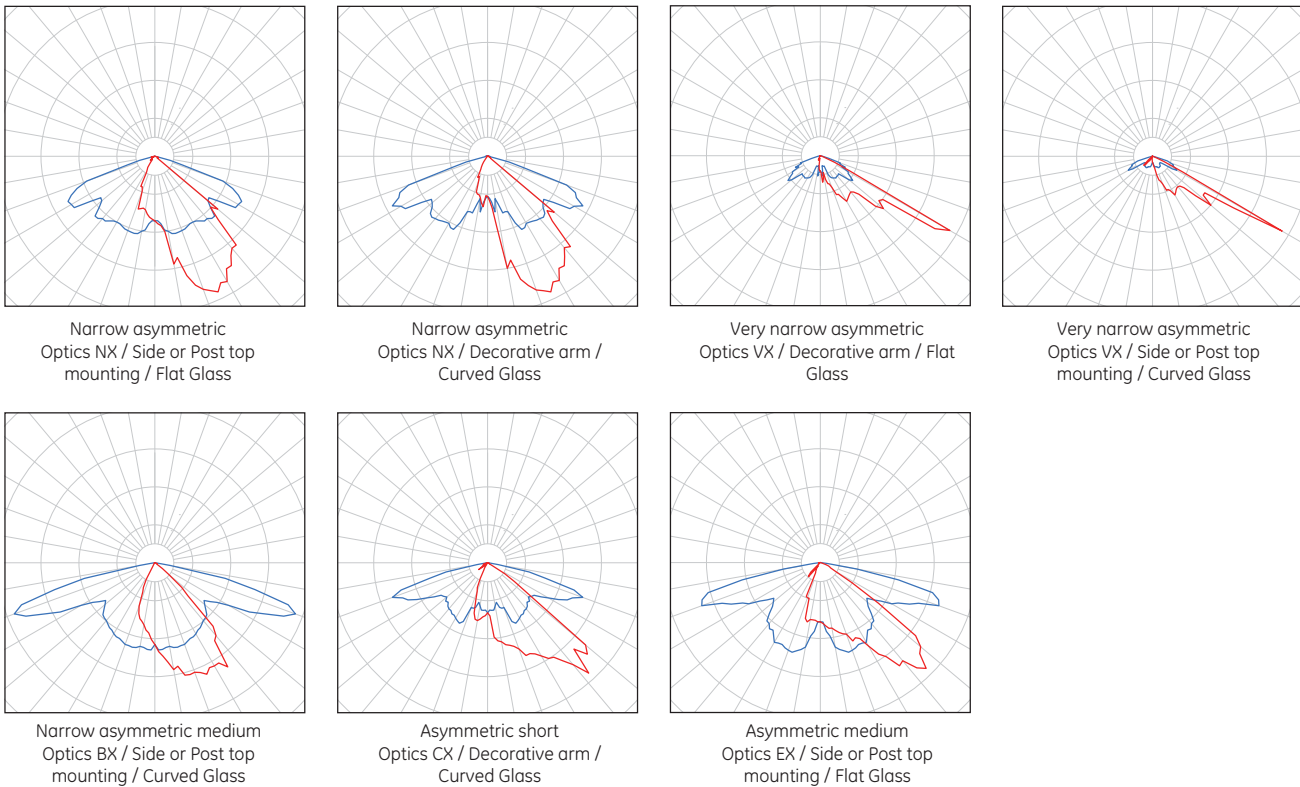
Side mounting



## Dimensions [mm]



## Photometric data



## Specifications

Weight [kg]	12kg with decorative arm, 10.5kg with standard post-top and side mounting. Driver included.
Side Surface [m <sup>2</sup> ]	0.17
Driver	Electronic, programmable & dimmable (DALI). Controllable driver with power reduction and astronomical clock availability. 50/60Hz, 220-240 max.
System consumption	21, 31, 43 & 56 Watts
Reflector	Five different reflectors available
Protection Degree	Full IP66
Ambient Operating Temperature [°C]	-30 to 50°C
Regulations	IEC 60598-1, IEC 60598-2-3 EMC: IEC 55015:2006+A1:2006+A2:2009 & IEC 61000 EMF: IEC 62493 ENEC

## Product range overview

Glass Lens	Reflectors	Power [W]	Colour Temperature [K]	Control	Accessories	Electrical Class	Precabbling	Mounting Options
Curved Flat	Optics NX	21	3000	No Control	Standard	I. II.	Without Precabbling Precabbling	Decorative Arm – 48-60mm Post Top – 48-60mm Post Top – 76mm Side Mounting – 48-60mm
	Optics VX	31	4000	DALI	6kV Surge Protection			
	Optics BX	43	5000	Step Dimming	Fuse			
	Optics CX	56						
	Optics EX							

## Product identification

### Ok L/A/B/C/DD/EE/FF/GG/HH/I/JJJ/KKKK

A: Generation: 1

B: Type of glass: C = Curved Glass, F = Flat Glass)

C: Type of optics: B = BX, C = CX, E = EX, N = NX, V = VX

DD: System powers: 21, 31, 43 or 56W

EE: LED colour temperature , 30 = 3000k, 40 = 4000K or 50 = 5000K

FF: Control N = No Control, D = DALI, S = Step Dimming

GG: Accessories: ST = Standard, SP = 6kV Surge Protection, F = Fuse

HH: Electrical Classes: C1 = class 1, or C2 = class 2

I: Fixture supplied Precabbling: N = Without Precabbling, P = Precabbling

JJJ: Mounting type: N60 = Decorative Arm 48-60mm, P60 = Post Top 48-60mm, P76 = Post Top 76mm, S60 = Side Mounting 48-60mm

KKKK: Paint colour in RAL (if not stated it is the standard colour, Grey 150 Sable): Rxxxx = RAL paint code.

## Product efficiency

### 5000K

System Watt [W]	Optics	System Lumen [lm]	LpW	IES File Number
43	BX	4100	95	OKL1CB4353N60
43	CX	4060	94	OKL1CC4353N60
21	NX	1940	92	OKL1CN2153N60

### 4000K

System Watt [W]	Optics	System Lumen [lm]	LpW	IES File Number
43	NX	4100	95	OKL1CN4343N60
43	BX	4020	93	OKL1CB4343N60
43	CX	3980	93	OKL1CC4343N60
21	NX	1900	90	OKL1CN2143N60
43	EX	3890	90	OKL1CE4343N60
56	NX	5020	90	OKL1CN5643N60

### 3000K

System Watt [W]	Optics	System Lumen [lm]	LpW	IES File Number
43	NX	3530	82	OKL1CN4333N60
43	BX	3460	80	OKL1CB4333N60
43	CX	3430	80	OKL1CC4333N60

These tables are a summary, the full range is available on web site.